

SWIVEL CHAIR ASSEMBLY INSTRUCTIONS

NAME	QUANT.
A. Backstand	1
B. Base	1
C. Seat Cushion	1
D. Base Slipcover	1
E. Cushion Slipcover	1

Assembly Instruction:

1. Push the backstand (A) down along the metal plate (F) to connect with the base (B) (See Fig. 2)

* To remove back, raise metal clip at top of receiver, pull up on back

2. Put on base and cushion slipcovers
3. Put seat cushion (C) onto the seat (See Fig. 3)

Figure 1: Parts assembly illustration

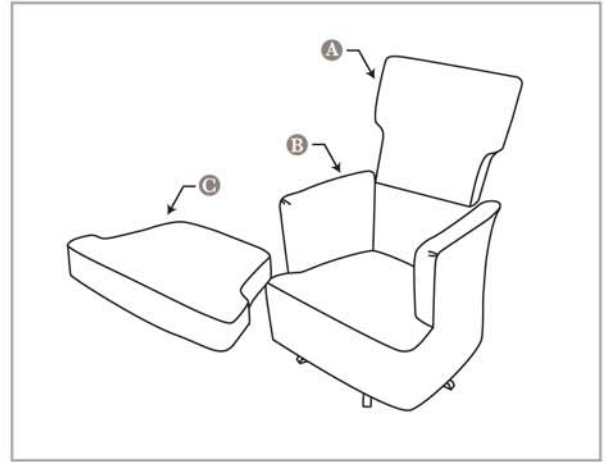


Figure 2: Back view of Swivel Chair

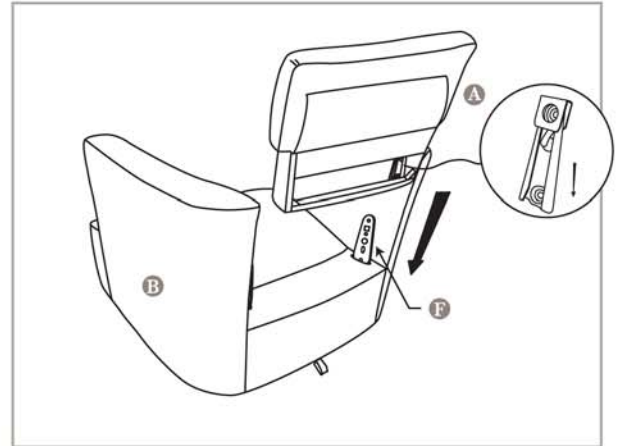


Figure 3: Swivel Chair with slip cover

