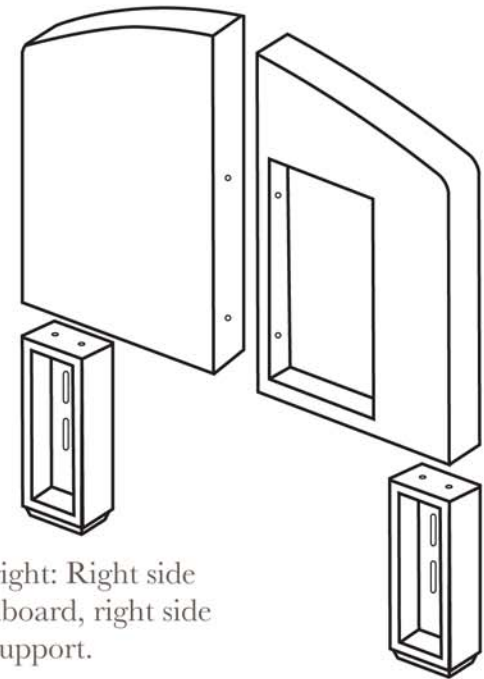
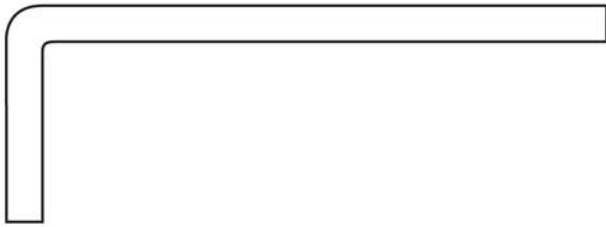


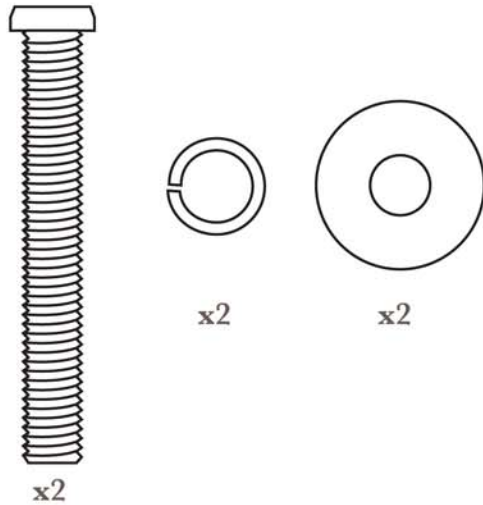
HEADBOARD ASSEMBLY INSTRUCTIONS

Allen Wrench

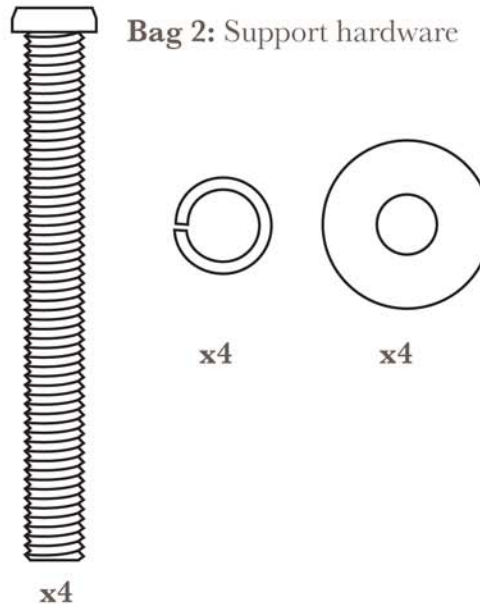


Contents: From left to right: Right side headboard, left side headboard, right side leg support, left side leg support.

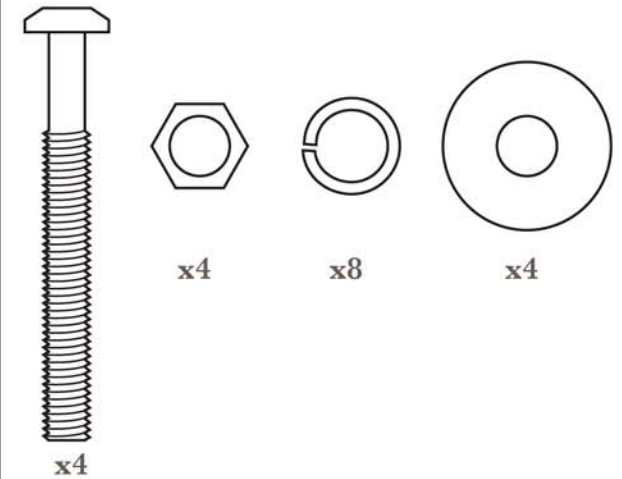
Bag 1: Headboard hardware



Bag 2: Support hardware



Bag 3: Bed frame hardware



3 STEP HEADBOARD ASSEMBLY INSTRUCTIONS

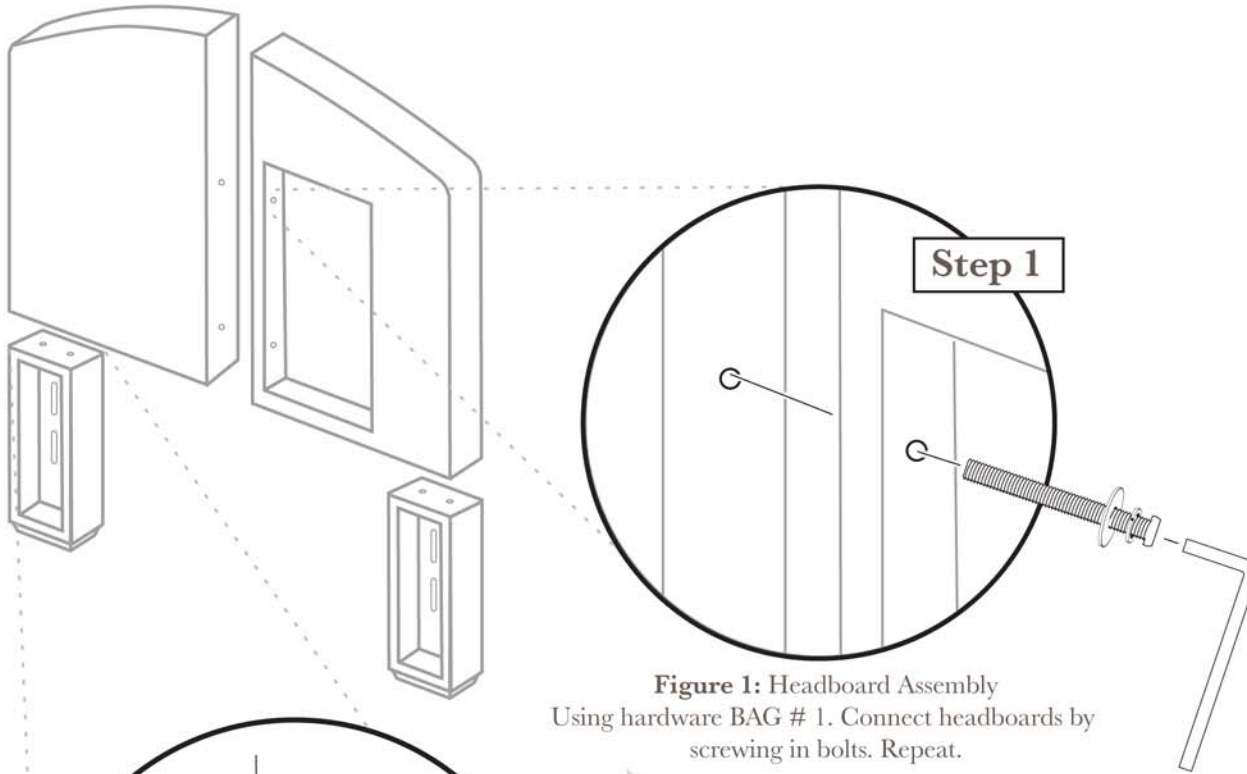
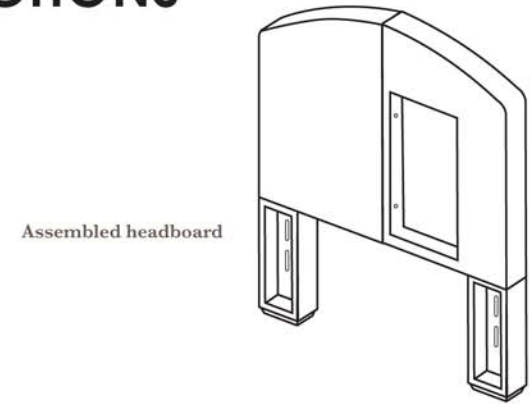


Figure 1: Headboard Assembly
Using hardware BAG # 1. Connect headboards by screwing in bolts. Repeat.



Apply Slip Cover

- Unzip sides of slipcover.
- Pull slipcover over headboard with zippers facing back.
- Remove Strips from adhesive and secure to headboard.

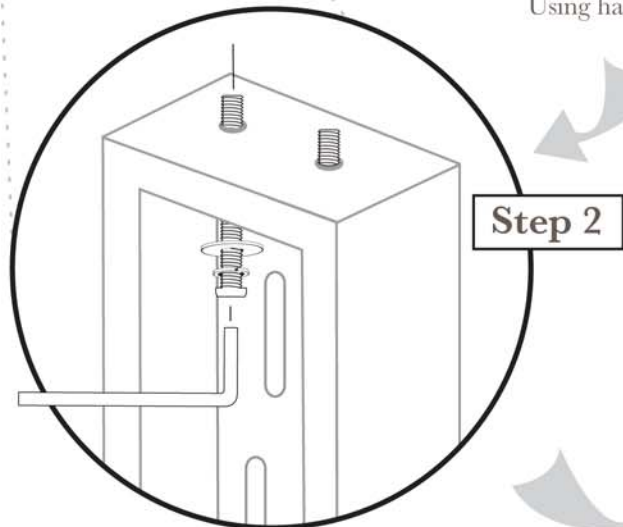
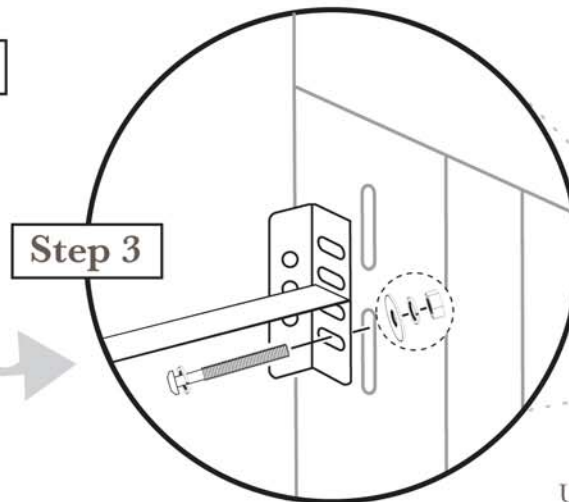


Figure 2: Headboard Support Assembly
Using hardware BAG # 2. Connect headboard support by screwing in 2 bolts. Repeat for other support.



*Bed Frame not included

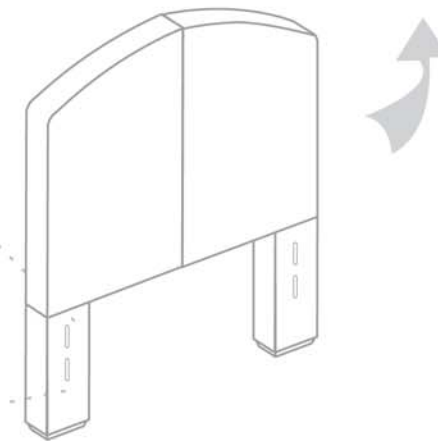


Figure 3: Support to Bed Frame Assembly*
Using hardware BAG # 3. Connect bed frame to headboard by screwing in 2 bolts. Repeat for other frame connector.