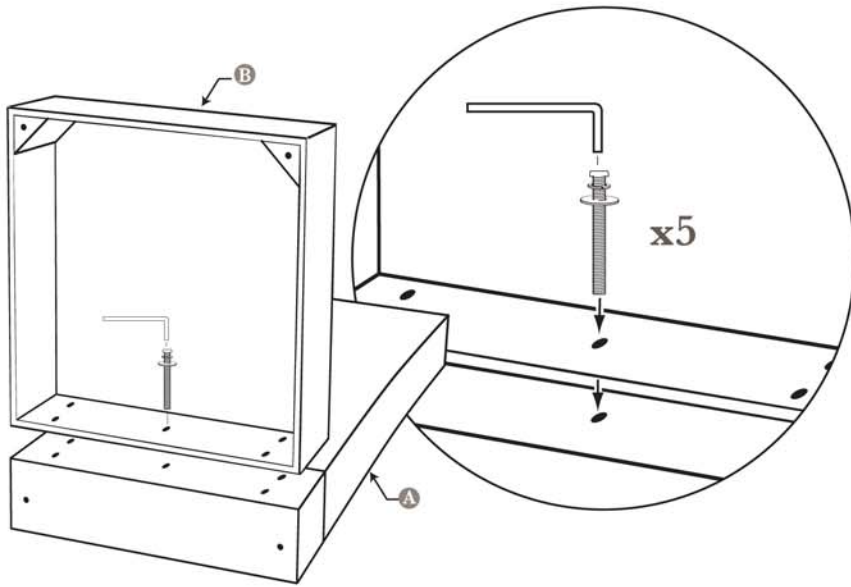
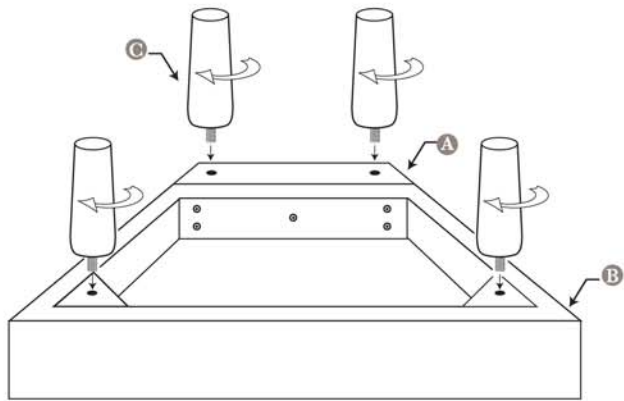


# ARMLESS CHAIR ASSEMBLY INSTRUCTIONS

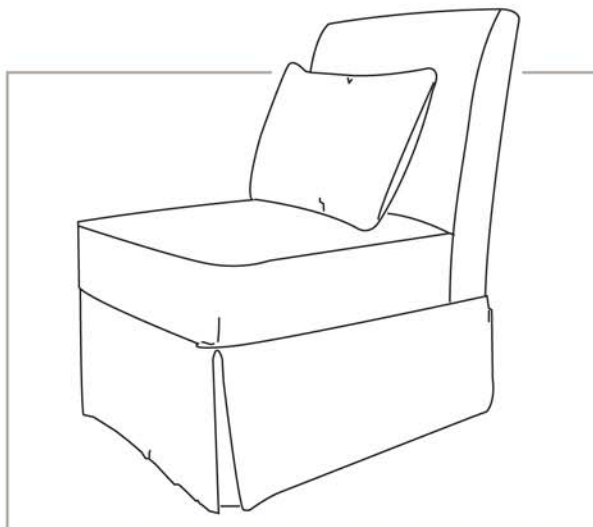
**Figure 1: Seat base & seat back assembly**



**Figure 2: Leg assembly**



**Figure 3: Slipcovers**



NAME	QUANT.
A. Seat Back	1
B. Seat Base	1
C. Legs	4
D. Seat Cushion	1
E. Pillow Insert	1
F. Hardware Bag 5 Bolts, 5 Washers, 5 Lock Washers, 1 Allen wrench	1
G. Chair Slipcover	1

## Assembly Instruction:

1. Attach seat base (B) to seat back (A) using 5 bolts included in hardware bag.
2. Screw legs into seat base and bottom of seat back.
3. Apply chair slipcover over seat back and around seat base. Remove strips from adhesive to secure slipcover to chair.